



65 / 41 BG

Aspect ratio

Length

Bright

Glued



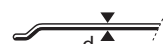
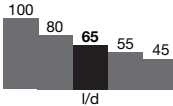
DATASHEET

Characteristics

Material properties

Nom. tensile strength: 184.197927 ksi (1270 MPa)
 Young's modulus: 29000 ksi (200000 MPa)
 Strain at ultimate strength: 0.8 %

Geometry

Fiber family **3D** 
 Length (l) 1.61 in. (41 mm) 
 Diameter (d) 0.024409 in. (0.62 mm) 
 Aspect ratio (l/d) 65 

Minimum EN 14889-1 dosage

34 lb/yd³ (20 kg/m³)

Fiber network

21139 ft/yd³ at 34 lb/yd³ (8428 m/m³ at 20 kg/m³)
 4507 fibers/lb (9938 fibers/kg)

Dramix® family

3D Typical SFRC applications
 4D Supreme serviceability control
 5D Advanced structural applications

	5D	4D	3D
Tensile strength			
Wire ductility			
Anchorage strength			

Product certificates*



* Product certificates are plant specific.

Product conformity

Dramix® conforms to ASTM A820, EN 14889-1 and ISO 13270 Class A.

System certificates



All Dramix® plants are ISO 9001 and ISO 14001 certified.

Packaging



BAGS
44 lb (20 kg)

BIG BAG
2,420 lb (1,100 kg)

Handling



DRAMIX® 3D 65/40BG

The original anchorage

Dramix® 3D is the cost-efficient fiber for standard statically indeterminate concrete structures that are submitted to regular static, fatigue and dynamic loadings.

Glue technology for three-dimensional reinforcement

Dramix® steel fibers are bundled with water-soluble glue. The glue helps avoiding fiber balling during mixing and ensures a homogeneous distribution of fibers throughout the concrete mix.

Bekaert Bekaert construction support

You can count on our support for each step of your project, from concept design to on-site quality support. Our services include recommendations on slab design, construction detailing, concrete optimization and automatic total quality control procedures. We are also happy to share our knowledge with you and your team.

Feel free to ask us for a workshop or training on the topic of steel fiber reinforcement in your offices.

For recommendations on handling, dosing and mixing visit www.bekaert.com/dosingdramix. Any other specific document or certificate can be found on www.bekaert.com/dramix/downloads.