



**65 / 60 BG**

Aspect ratio

Length

Bright

Glued



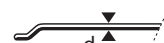
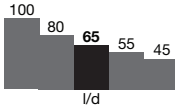
**DATASHEET**

**Characteristics**

**Material properties**

Nom. tensile strength: 168.243776 ksi (1160 MPa)  
 Young's modulus: 29000 ksi (200000 MPa)  
 Strain at ultimate strength: 0.8 %

**Geometry**

Fiber family **3D**   
 Length (l) 2.3622 in. (60 mm)   
 Diameter (d) 0.035433 in. (0.9 mm)   
 Aspect ratio (l/d) 65 

**Minimum EN 14889-1 dosage**

25 lb/yd<sup>3</sup> (15 kg/m<sup>3</sup>)

**Fiber network**

7522 ft/yd<sup>3</sup> at 25 lb/yd<sup>3</sup> (2999) m/m<sup>3</sup> at 15 kg/m<sup>3</sup>  
 1477 fibers/lb (3257 fibers/kg)

**Dramix® family**

3D Typical SFRC applications  
 4D Supreme serviceability control  
 5D Advanced structural applications

	5D	4D	3D
Tensile strength			
Wire ductility			
Anchorage strength			

**Product certificates\***



\* Product certificates are plant specific.

**Product conformity**

Dramix® conforms to ASTM A820, EN 14889-1 and ISO 13270 Class A.

**System certificates**



All Dramix® plants are ISO 9001 and ISO 14001 certified.

**Packaging**



**BAGS**  
44 lb (20 kg)

**BIG BAG**  
2,420 lb (1,100 kg)

**Handling**



**DRAMIX® 3D 65/60BG**

**The original anchorage**

Dramix® 3D is the cost-efficient fiber for standard statically indeterminate concrete structures that are submitted to regular static, fatigue and dynamic loadings.

**Glue technology for three-dimensional reinforcement**

Dramix® steel fibers are bundled with water-soluble glue. The glue helps avoiding fiber balling during mixing and ensures a homogeneous distribution of fibers throughout the concrete mix.

**Bekaert Bekaert construction support**

You can count on our support for each step of your project, from concept design to on-site quality support. Our services include recommendations on slab design, construction detailing, concrete optimization and automatic total quality control procedures. We are also happy to share our knowledge with you and your team.

Feel free to ask us for a workshop or training on the topic of steel fiber reinforcement in your offices.

For recommendations on handling, dosing and mixing visit [www.bekaert.com/dosingdramix](http://www.bekaert.com/dosingdramix). Any other specific document or certificate can be found on [www.bekaert.com/dramix/downloads](http://www.bekaert.com/dramix/downloads).